

Heat Lamps With Adjustable Arm(s) Models (*)

General Description:

Units are available in a single or double lamp with adjustable arm(s). Equipped with a weighted base for stability. The stainless steel, polished finish pair perfectly with other Spring USA accessories, such as Warming Trays and Carving Stations.

Product Specifications:

2791-6* Single Heat Lamp, With Adjustable Arm

Power: 110V, 60Hz, 250 watts, 2.1 amps,
Power Cord: Complete 6 foot cord with plug (NEMA 5-15)
Shipping Weight: 16 lbs
Dimensions: See Diagram Below

2791-6* Single Heat Lamp, 18/8 Stainless Steel, Polished Finish



2792-6* Double Heat Lamp, With Adjustable Arms

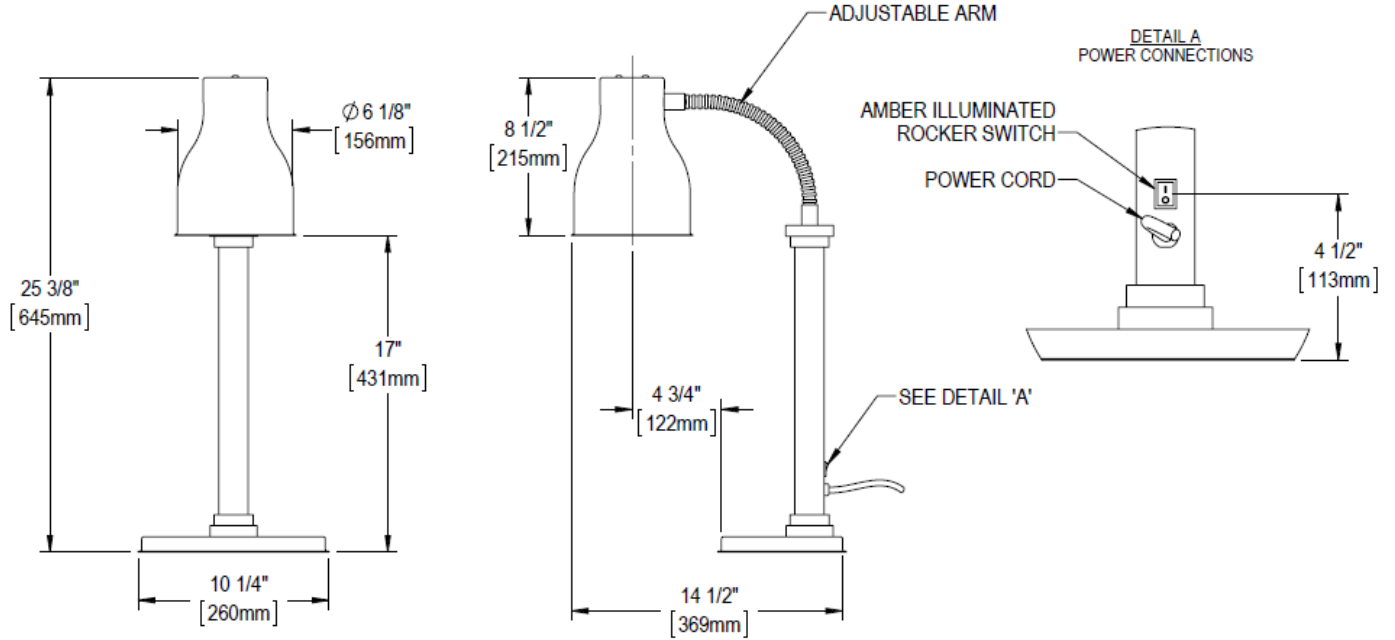
Power: 120V, 60Hz, 250 watts x 2, 4.2 amps
Power Cord: Complete 6 foot cord with plug (NEMA 5-15)
Shipping Weight: 21 lbs
Dimensions: See Diagram Below

2792-6* Double Heat Lamp, 18/8 Stainless Steel, Polished Finish



Product Specifications:

2791-6* Single, Adjustable Arm Heat Lamp



2792-6* Double, Adjustable Neck Heat Lamp

