

Heat Lamps & Carving Stations

General Description:

Units are sold in a single lamp, double lamp, or with our carving unit with double heat lamp assembly & granite cutting board.

Product Specifications:

2791 Single Heat Lamp

Power: 120V, 60Hz, 250 watts, 2.1 amps,
Power Cord: Complete 6 foot cord with plug (NEMA 5-15)
Shipping Weight: 22 lbs
Dimensions: See Diagram Below

2791-5 Single Heat Lamp, 18/10 Stainless Steel, Brushed Finish

2791-6 Single Heat Lamp, 18/10 Stainless Steel, Mirror-Polished Finish



2792 Double Heat Lamp

Power: 120V, 60Hz, 500 watts, 4.2 amps
Power Cord: Complete 6 foot cord with plug (NEMA 5-15)
Shipping Weight: 32 lbs
Dimensions: See Diagram Below

2792-5 Double Heat Lamp, 18/10 Stainless Steel, Brushed Finish

2792-6 Double Heat Lamp, 18/10 Stainless Steel, Mirror Polished Finish



2793 Double Heat Lamp Carving Station

Power: 120V, 60Hz, 500 watts, 4.2 amps
Power Cord: Complete 6 foot cord with plug (NEMA 5-15)
Shipping Weight: 70 lbs.
Dimensions: See Diagram Below

2793-5* Double Heat Lamp Carving Station Stainless Steel Brush Finish

2793-6* Double Heat Lamp Carving Station Stainless Steel Mirror Polish Finish

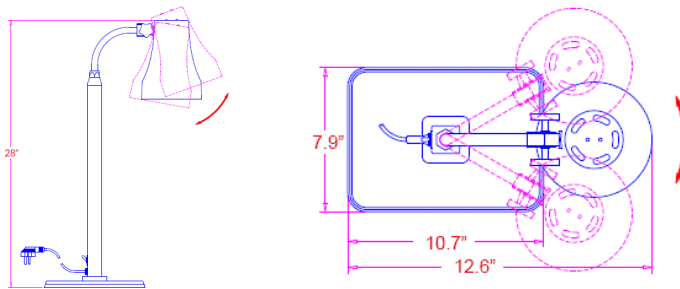
* 793-M Mocha Granite Double-Sided Cutting Board

* 793-O Onyx Granite Double-Sided Cutting Board

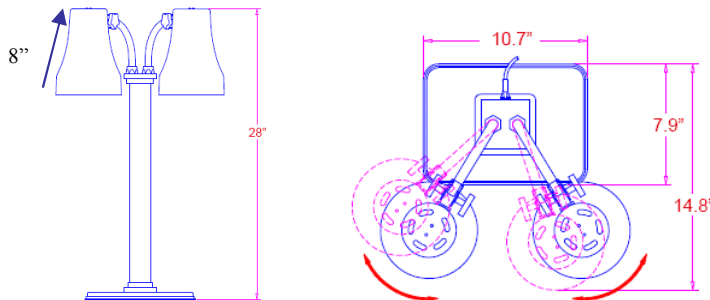
*** You must specify the color of the Cutting Board when Ordering!**

Additional Information:

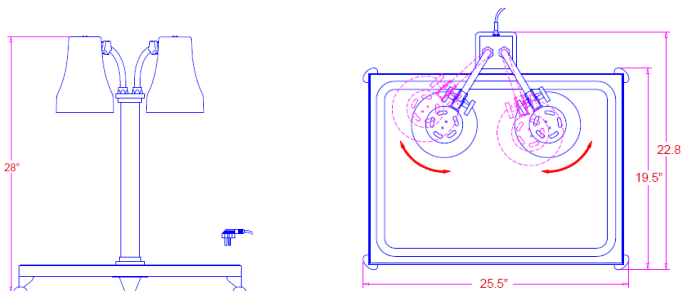
- ❖ Heat lamps available in a Stainless Steel *Brushed Finish* (Post & Shade only) or in a Stainless Steel *Mirror-Polished Finish*.
 - ❖ Heat lamps can be purchased separately or as part of our complete carving station.
 - ❖ Double-sided cutting boards are available in Black Onyx or Mocha.
 - ❖ Heat lamps use 120V, 250 watt infrared heat lamp(s). Not included.
-



2791 Single Heat Lamp



2792 Double Heat Lamp



2793 Double Heat Lamp Carving Station