



Project _____

Item # _____ Quantity _____



Integra Serving System, Dual Heat

Item #	Voltage	Peak Power	Plug Type
ISS-600	110-120	600 W	NEMA 5-20P

Description:

Spring USA's Integra Serving System, Dual Heat is a countertop unit that includes a warming tray base, top heat source and a lighted canopy that warmly illuminates prepared food. With an adjustable heat setting, food remains at the appropriate serving temperature without continuing to cook.

Construction & Performance Features:

- Warming tray base with tempered glass top
- Digital temperature display
- Adjustable temperature range: 105°F - 250°F
- Unique heat source for top heat with stainless steel shade
- 4000K LED lighting
- Receptacle in base for daisy-chaining up to (3) units
- 7' power cord
- Power ON/OFF switch
- Easy-to-clean, ceramic coated arm and crossbar
- Clear, shatter-resistant, acrylic canopy
- Custom logo etching on canopy

Standard Warranty:

- One year, parts & labor

Agency Listings:

- ETL
- UL 197
- CSA C22.2 #109
- NSF 4



Available Accessories:

- Integra Canopy [Item #CA-600]



- Integra Heat & Light Arm [Item #CC-600]



- Integra Warming Base [Item #WB-600]

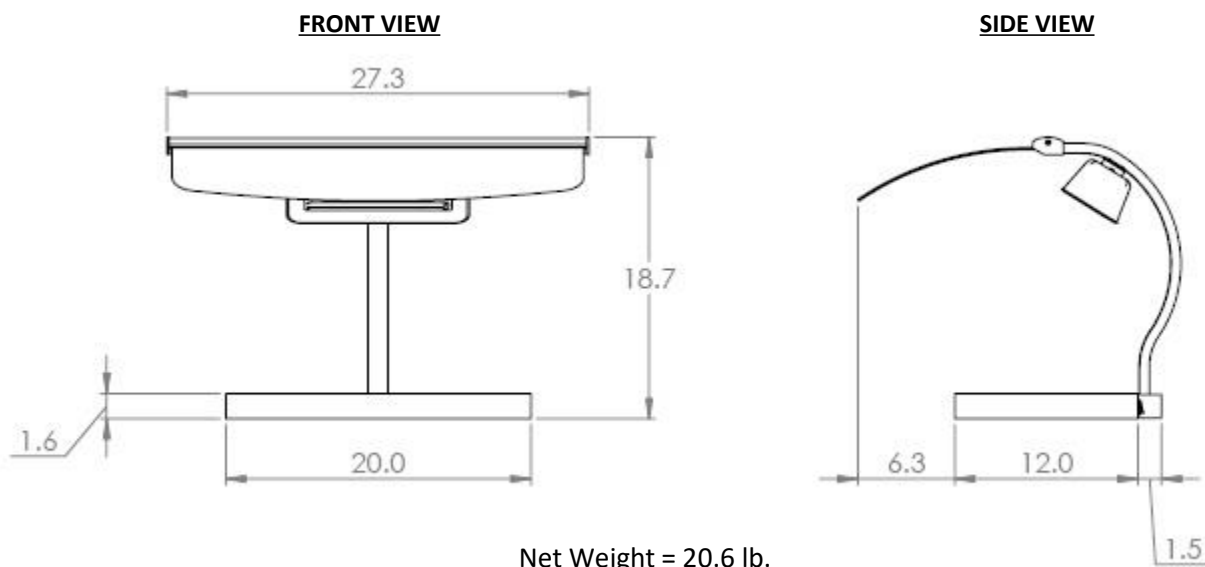


May 2019

Integra Serving System, Dual Heat

Electric Requirements:

Item #	Voltage	Phase	Hertz	Watts	Amps	Plug
ISS-600	110-120	1	60	600	5.0	NEMA 5-20P

Key Dimensions:

Shipping Dimensions:

Length	Single Unit Shipping Carton Width	Single Unit Shipping Carton Height	Weight
30.7"	22.2"	20.8"	28.7 lb.

Notes & Conditions:

1. A 15-amp plug adapter can be used to power the unit when a 20-amp receptacle is not available. The daisy chaining maximum is reduced to (2) when using a 15-amp plug adapter.
2. The warming tray base and LED lighting will be on together at all times when the unit is turned on. The top heat source can be turned on/off separately from the whole unit. Refer to the Operator's Manual for operating instructions.