



Quick Ship Table

Item #QS7230

Description:

Spring USA's Quick Ship Table is a multi-purpose table designed for front of house use. With (3) hidden induction ranges mounted under the top surface of the table, the table can be used for warming prepared food during service and for any task after service. Each table comes with a power outlet strip for easy power connection and casters to allow for easy movement.

Construction & Performance Features:

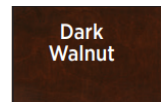
SmartStone®

- Top surface of table specially designed for use with Spring USA's Hidden SmartStone® Induction Warmers
- Trivetless system; no extra pieces needed to operate induction ranges
- Durable, non-porous, easy to clean surface
- Snow SmartStone® color



Wood Edge

- Induction range controls mounted in wood edge
- Dark walnut wood color



Metal Legs

- Locking, 5" diameter casters with rubber tires
- 304 stainless steel, brushed legs

Power Outlet Strip

- Hidden below table for easy power connection
- Six, 120-volt outlets
- 15 ft. cable
- Metal enclosure



Quick Ship Table

Induction Ranges (Model #SM-651SS)

- Three SmartStone® Induction Warmers hidden under the SmartStone® top surface
- Separate control panel with black, tempered glass faceplate and 60" cable for easy mounting
- Mounting frame bracket
- Power ON/OFF touch pad with power ON/pan present indicator lights
- SmartScan® technology heats the serving vessels, not the countertop
- Solid state controls with over/under voltage protection
- Each range is 650 W, 120 V, 5.4 A
- Lighted temperature indicator
- Four-Position, Set-Hold Temperature Controls

Low	Low-Med	Med-High	High
145-155°F	156-165°F	166-175°F	176-185°F
62-68°C	69-73°C	74-79°C	80-85°C

Standard Warranty:

Spring USA Induction Ranges offer a one (1) year, overnight exchange warranty, from the date of invoice, against manufacturers defects. See SpringUSA.com for more details.

Agency Listings:

- ETL (Induction Ranges)
- UL 197 (Induction Ranges)
- FCC (Induction Ranges)
- CETL (Induction Ranges)
- ETL-Sanitation to NSF-4 (Induction Ranges)
- UL 1363 (Power Outlet Strip)
- cUL (Power Outlet Strip)
- NSF (SmartStone®)



Available Accessories:

- Induction-ready serving vessels [See Spring USA catalog]
- Padded, vinyl table cover [Contact Spring USA]



Electrical Requirements:

Each Quick Ship Table comes with its own Power Outlet Strip, powering the entire unit with a single receptacle, eliminating the need for multiple receptacles. The Power Outlet Strip includes six receptacles.

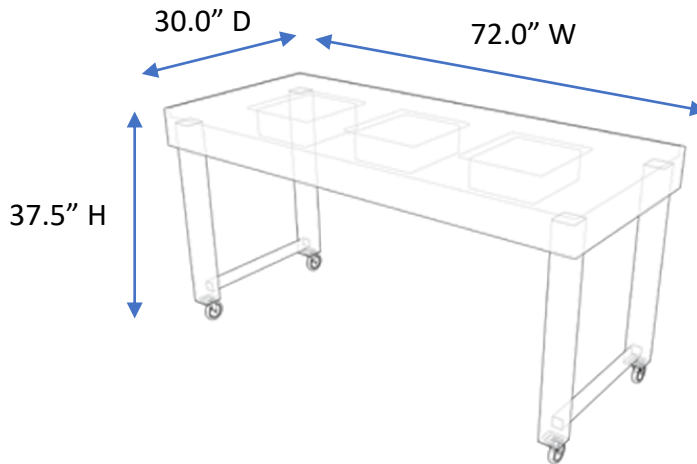
Below are the requirements of the Power Outlet Strip per the Quick Ship Table.

Voltage	Phase	Hz	kW	Amps	Plug
110-120	1	60	2.4	20	NEMA 5-20P

For requirements of the individual components (induction ranges) please see their corresponding specification sheets.

Quick Ship Table

Key Dimensions:



Weight: 250 lb.

Notes & Conditions:

1. Ensure that you have dedicated power wherever you are planning to use the Quick Ship Table. Refer to the manual for detailed instructions regarding operation.
2. Ensure the unit has proper ventilation at all times so it does not overheat.
3. Induction ranges require use of ferrous metal, induction-ready cookware.
4. Spring USA Induction Servers and Induction Warmers/Ranges are designed to work together as a system. Optimal performance is achieved by using Spring USA components in conjunction with each other. As the first to offer such induction systems, Spring USA cannot warranty the performance of facsimile products offered by other companies.
5. Refer to individual specification sheets for the induction ranges or the power outlet strip for detailed information.