

GENERAL INSTALLATION GUIDELINES

IMPORTANT

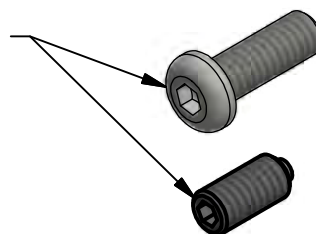
PLEASE READ THE FOLLOWING INFORMATION IN THIS GUIDE PRIOR TO UNPACKING AND INSTALLATION !!!!!

In order for the food shield to conform to NSF STD. 2, the unit must be located relative to the food zone as dictated by NSF/ANSI 2 - 2015 which can be located on the NSF website here:

<https://es.nsf.org/services/by-industry/food-safety-quality/food-equipment-certification/food-shields>

- Food shield attachment hardware fastened below the counter with the through bolt method can be mounted in the splash zone only.
- Food shields located in or on a food preparation area require counter top attachment hardware.
- Apply an NSF certified silicone sealant to base of the attachment hardware prior to fastening to the counter. This must be done at the base of the vertical upright regardless of attachment method.
- When securing the vertical support with 1/4-20 bolt from below the counter (through bolt method), the hole that is drilled through the counter work surface must be sealed with an NSF certified silicone sealant. Also note that plywood is not suitable as an exposed surface.
- After tightening all fasteners and the installation is complete, apply an NSF certified clear silicone sealant to all hex key fastener heads.
- NSF/ANSI 2 - 2015 section 5.5.2.requires all hex key screw head cavities be filled with an NSF certified silicone sealant.

**NSF Certified
Silicone Sealant Here**

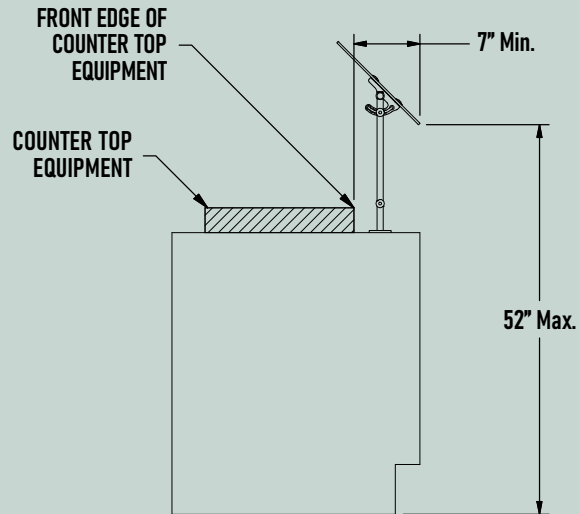


COMPLIANCE CRITERIA

FOR PORTABLE FOOD SHIELDS FOR COUNTER TOP EQUIPMENT

(NSF/ANSI 2-2015) 5.35.6.5

- The maximum vertical distance between the finished floor and the bottom leading edge of the food shield shall be 52".
- The minimum horizontal distance between the front of the counter top equipment and the bottom leading edge of a food shield shall be 7".

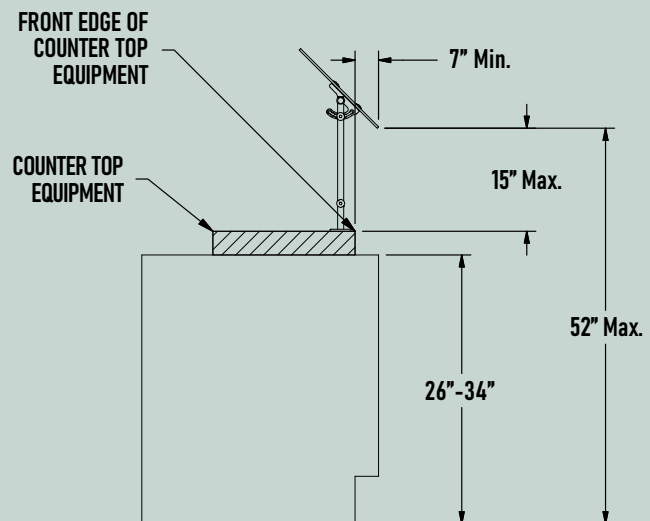


COMPLIANCE CRITERIA

FOR SELF-SERVICE FOOD SHIELDS ATTACHED TO COUNTER TOP EQUIPMENT

(NSF/ANSI 2-2015) 5.35.7.6

- The maximum vertical distance between the finished floor and the bottom leading edge of the food shield shall be 52".
- The maximum vertical distance between the food display area and bottom leading edge of a food shield shall be 15".
- The minimum horizontal distance between the front of the counter top equipment and the bottom leading edge of a food shield shall be 7".

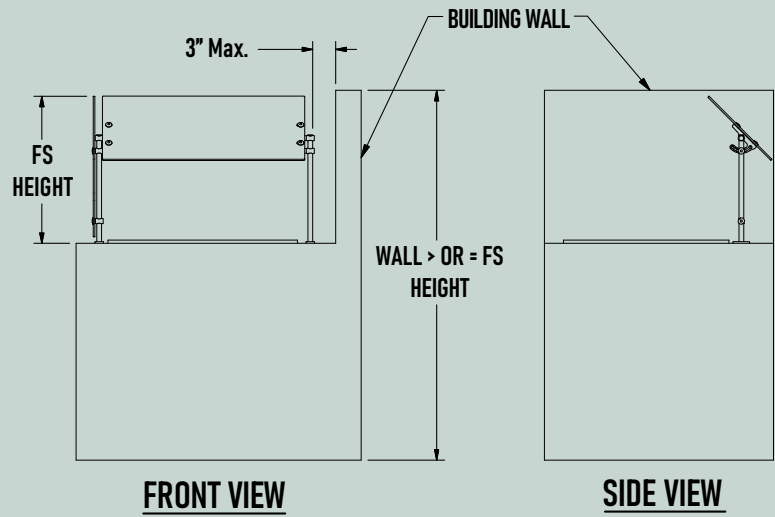


END SHIELD

GUIDELINES FOR BUILDING WALL AND PROXIMITY REQUIREMENTS

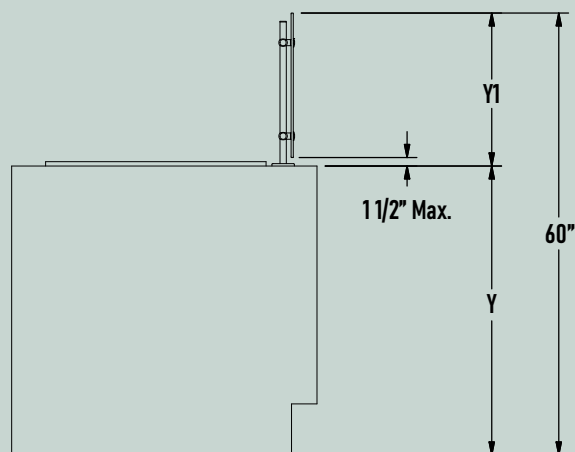
(NSF/ANSI 2-2015) 5.36.1.6.2

- A food shield intended to be installed a maximum of 3" from a building wall perpendicular to the food shield does not require an end panel provided that the height of the building wall is not lower than the overall height of the food shield.



GUIDELINES FOR MEETING THE 60" HEIGHT REQUIREMENT

- Minimum Height Required = 60" Above Finished Floor
- Height Minimum Requirement ($Y1 = 60 - Y$)



PLACEMENT GUIDE FOR SELF-SERVICE FOOD SHIELDS

To properly locate the food protector, use the following formula:

$$(H) = (V) \times (.75)$$

(D1) = obtain from the model specific cut sheet

$$(D2) = (H) - (D1)$$

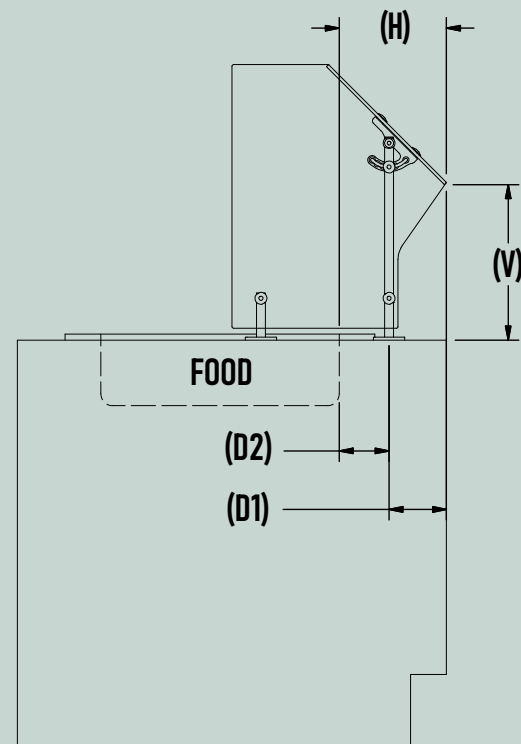
This form is intended for use as a guide to ensure that a self-service food protector is located per the NSF/ANSI 2 - 2015 standard.

The **MAXIMUM** allowed **VERTICAL** clearance (**V**) for a self-service food protector is 13".

The **MINIMUM HORIZONTAL** distance (**H**) from the leading edge of the glass panel to the food (not food equipment) is 3/4 or .75 times the vertical clearance. $H = .75 \times (V)$

The Connekt cut sheet for each model specifies the dimension from the leading edge of the glass panel to the centerline of the front post (**D1**).

Depending on the model of self-service protector, the vertical (**V**) clearance and the horizontal distance (**H**) from the leading edge of the glass panel to the centerline of the front post will vary. Please refer to the supplied shop drawings or the respective cut sheet for this information.



The provided calculations will give a reference dimension from the centerline of the front post to the "food line" (D2**).

For example, in the case of the drop-in food well, the "food line" is the inside front edge of the food pan that physically contains the food.

Typically, a food protector will meet the maximum height clearance allowable (13"). At the 13" clearance (V**), the horizontal distance (**H**) to the food is 9-3/4".

Typical: (**V**) = 13" and (**H**) = 9-3/4"