

Owner's Manual

SpringVolt

Item #SPBB-1440



Spring_{USA}

The Evolution of Intelligent Design®

127 Ambassador Drive, Suite 147
Naperville, IL 60540-4079

P: 630-527-8600

F: 630-527-8677

springusa@springusa.com

www.springusa.com

April 2020

Spring_{USA}

The Evolution of Intelligent Design®

Before You Begin

To ensure safe operation, read the following instructions in their entirety. Save for future reference.

WARNING

Warning is used to indicate the presence of a hazard that can cause severe personal injury, death, or substantial property damage if the warning is ignored.

CAUTION

Caution is used to indicate the presence of a hazard that will or can cause minor personal injury or property damage if the caution is ignored.

NOTICE

Notice is used to note information that is important but not hazard-related.

To reduce risk of injury or damage to the equipment:

- Do not use this product in an enclosed space. Do not obstruct or cover the equipment in any way when in use. Ensure the product's environment is well ventilated.
- Do not expose this product to water, rain, or snow.
- Do not use accessories that are not recommended or sold by the manufacturer. This may result in fire, electric shock or personal injury.
- Disassembly of this product should only be done by a qualified professional.
- When charging the product, plug only into grounded electrical outlets matching the nameplate rated voltage.
- Do not operate unattended.
- Closely supervise equipment operating in public areas and/or around children.
- Do not operate if equipment has been damaged or is malfunctioning in any way.
- Keep equipment and power cord away from open flames, electric burners or excessive heat.
- Unplug when not in use.

Function

Spring USA's SpringVolt is a portable battery intended for use with other electrical Spring USA products. When a wall outlet is not available or within reach of the intended application site, Spring Volt can supply the necessary power for hours and be charged for repeated use.

Specifications

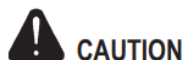
Battery Capacity	24 V, 60 Ah
Battery Type	Lithium Ion
AC Output Power	1000 W
AC Peak Output Power	1200 W (2 seconds)
AC Output Voltage/Frequency	120 V, 60 Hz
Inverter Waveform	Pure Sine Wave
External Charger	110 V input, 25.2 V, 12 A
Working Temperature	32°F (0°C) - 104°F (40°C)
Working Relative Humidity	10% - 90%
Storage Temperature	14°F (-10°C) - 140°F (60°C)
Storage Relative Humidity	5% - 95%
Gross Weight	33 lb. (15 kg)
Dimensions	15.6 in (395 mm) x 6.5 in (165 mm) x 10.0 in (255 mm)

Operation

Before use, be sure the SpringVolt has been fully charged.

To charge the battery:

1. Make sure there are no products plugged into the battery.



CAUTION

Use this product only after unplugging the AC power cord from the outlet. Do not use this product while charging.

2. Connect the external charger to the DC input on the control panel of the battery. Then plug the external charger into an AC wall outlet.
3. There are five LED lights that represent 10%, 20%, 30%, 50%, and 80% battery capacity. The LED light of the corresponding battery capacity level will begin to flash at 1 second intervals when charging. Once the battery capacity increases, the previous LED light will remain lit and the next light will flash at 1 second intervals. The power indicator light will illuminate red during charging.
4. When the battery is fully charged, all LED lights will illuminate and remain lit to indicate 100% battery capacity. The power indicator light will illuminate green.
5. Once the battery is fully charged, unplug the external charger from the battery. The battery is now ready for use.

To use the battery:

1. Turn the battery on by pressing the ON/OFF button on the panel. The power indicator light will illuminate green.
2. Plug the AC product intended to be powered by the battery into the AC output receptacle on the control panel.

NOTICE: The AC product must not exceed 1000 W.

3. Turn the AC product on. The LED battery capacity light will begin to flash at 1 second intervals to indicate the battery is being discharged. As the battery capacity decreases during use, the LED lights will stop illuminating.
4. Once the battery charge is fully exhausted, the “No Battery Power” indicator will illuminate red.
5. Turn off the AC product and the battery when the battery is fully exhausted. Unplug the AC product and charge the battery as soon as possible.

Reference Figure 1 for an illustration of the control panel.

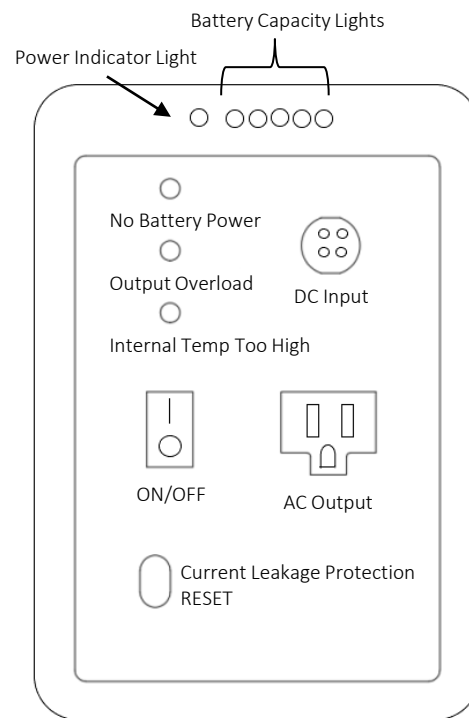


Figure 1. Control Panel

Troubleshooting

Error	Cause	Solution
“No battery power” light is illuminated	The battery charge has been exhausted	Turn the AC product and battery off. Charge the battery.
“Output overload light” is illuminated	Power of connected appliance is too large	Turn the AC product off and unplug from the battery. Only use an AC product below 1000W.
“Internal temp too high” light is illuminated	Power consumption is too high and causing the internal temperature to rise	Turn the AC product and battery off. Allow the battery to cool.

Maintenance

To extend the life of the SpringVolt, maintain a certain amount of electricity during storage. If the battery is not used regularly, be sure to charge the unit once every 3 months.

NOTICE: If the battery is not used for a period longer than 3 months and there is no recharge, it may cause damage to the product.

Service & Repair

Never attempt to service any part of the SpringVolt. Attempting to service the unit on your own, or through an unauthorized repair facility, automatically voids your warranty. Contact our Service Department at 630-527-8600. For service forms, visit the Spring USA website.

Warranty

For Limited Warranty Information, visit the Spring USA website.